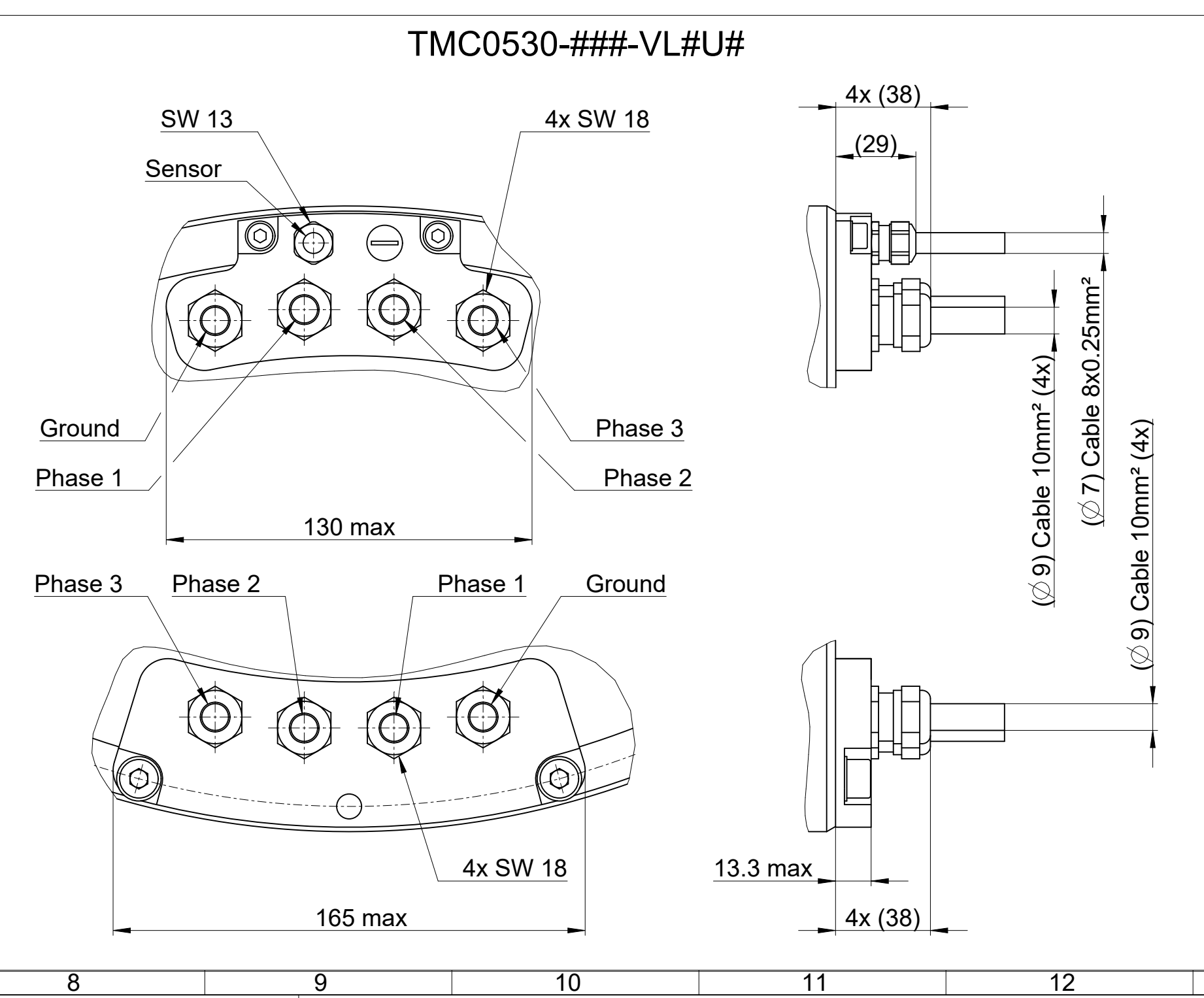
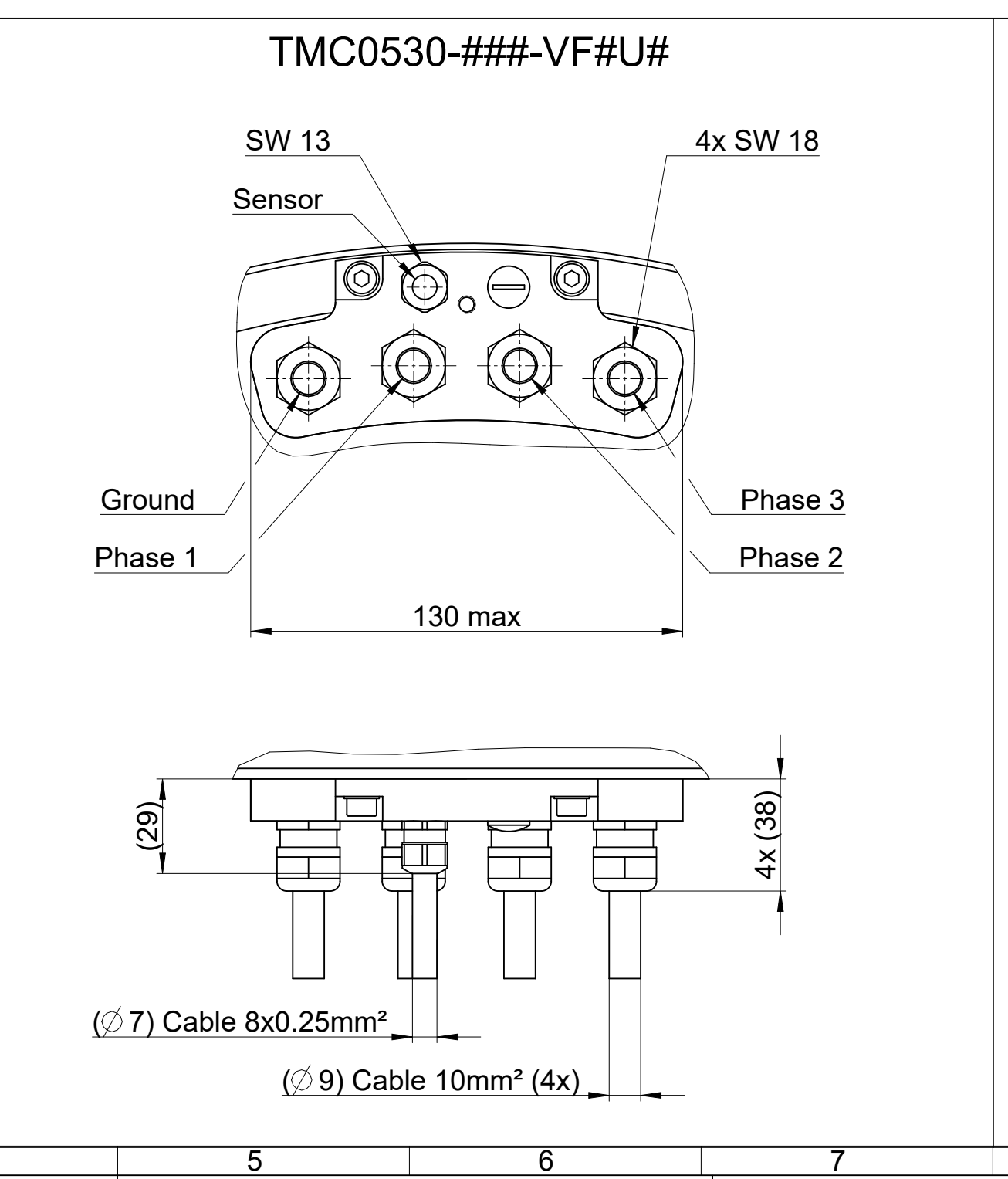
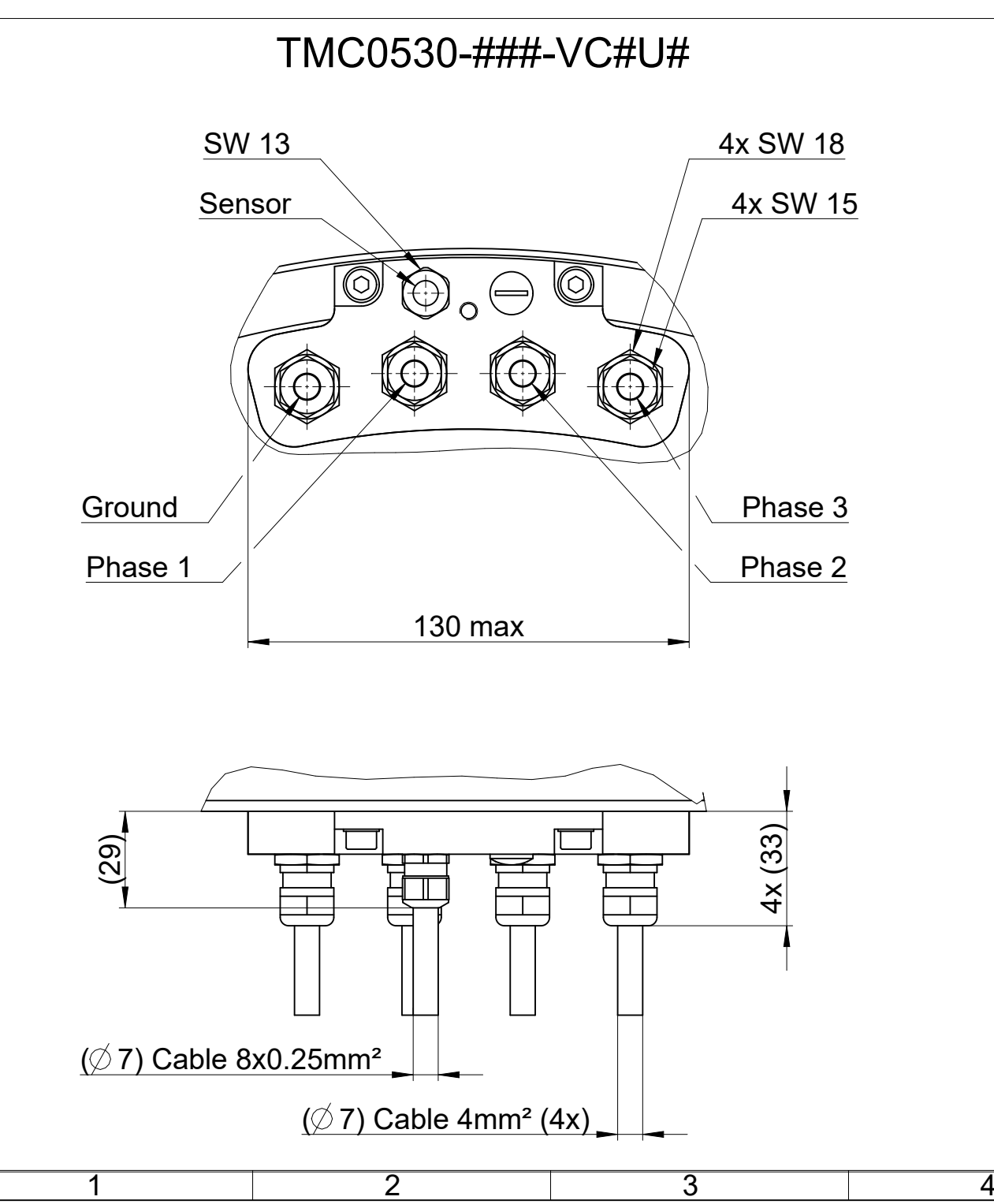
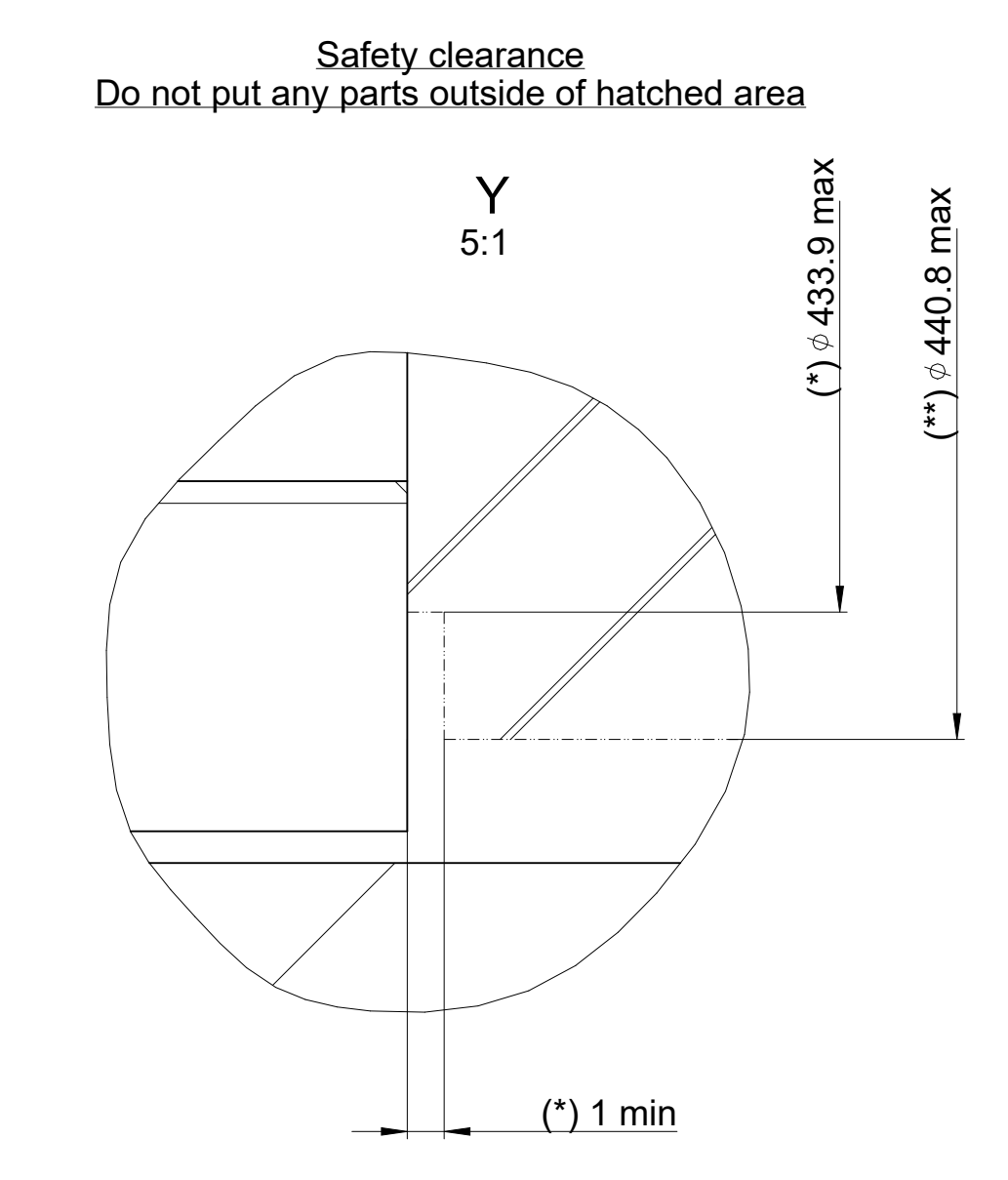
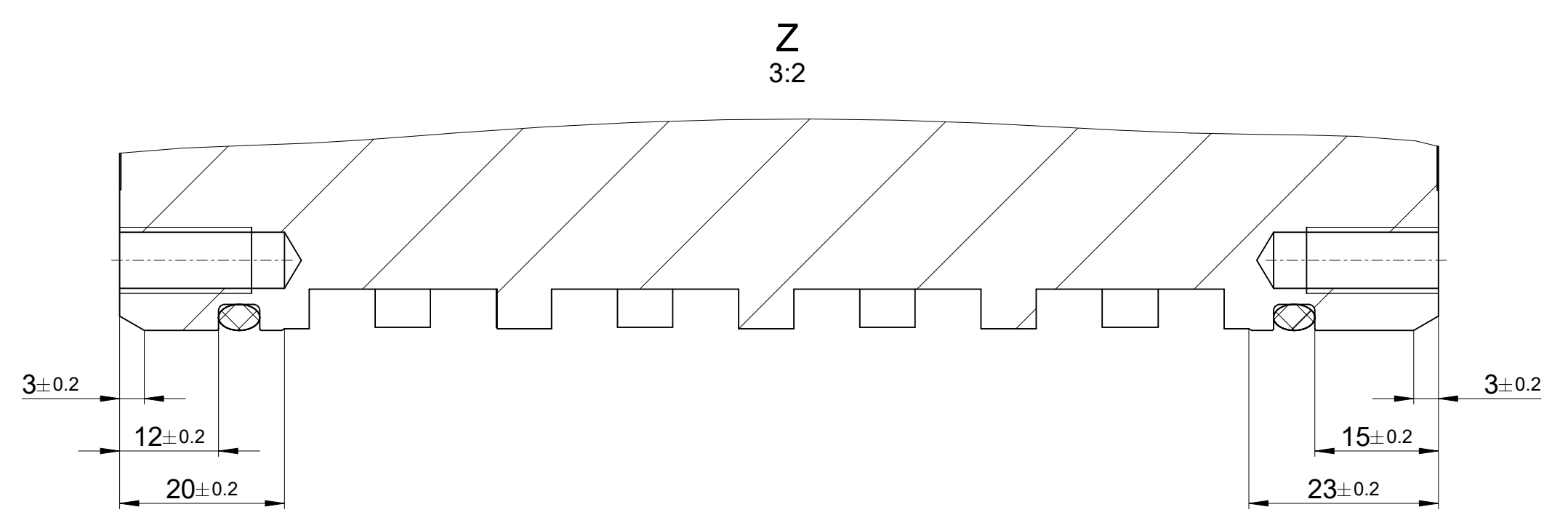


! (\*) For motors with 2 cable outputs, some of the stator threaded holes are covered by the second cable output and therefore these threaded holes cannot be used.



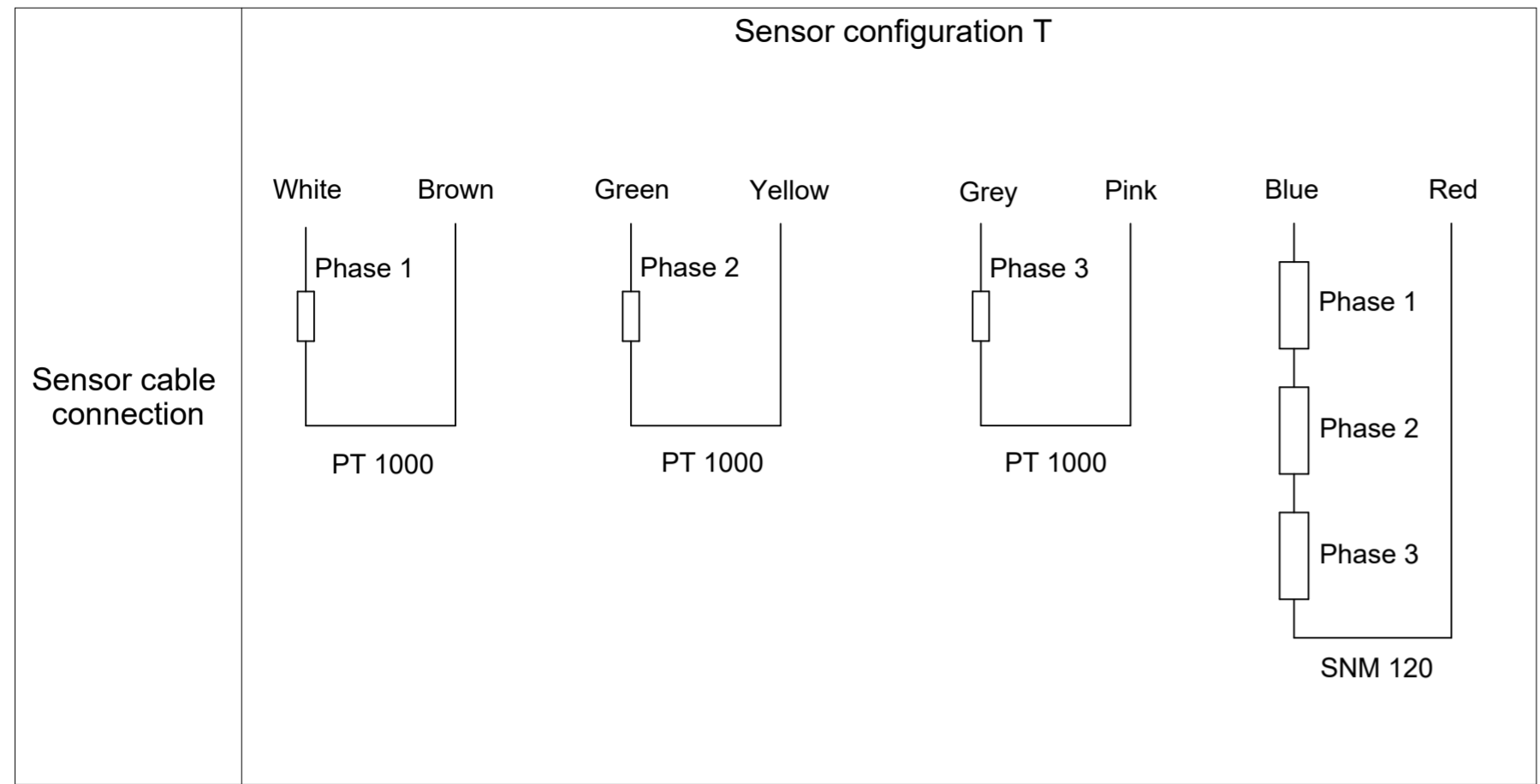
Designation	L1	L2	L3	N1	N2 (*)	NMz1	NMz2	B1	B2	B3
TMC0530-030	90	63	51	12	12	12	12	30°	30°	15°
TMC0530-050	110	83	71	12	12	12	12	30°	30°	15°
TMC0530-070	130	103	91	24	23	24	23	15°	15°	15°
TMC0530-100	160	133	121	24	23	24	23	15°	15°	15°
TMC0530-150	210	183	171	24	23	36	35	15°	10°	10°
TMC0530-200	260	233	222	36	34	36	35	10°	10°	10°

ETEL S.A. 2112 Mörsch SWITZERLAND

1395989-02-A-01

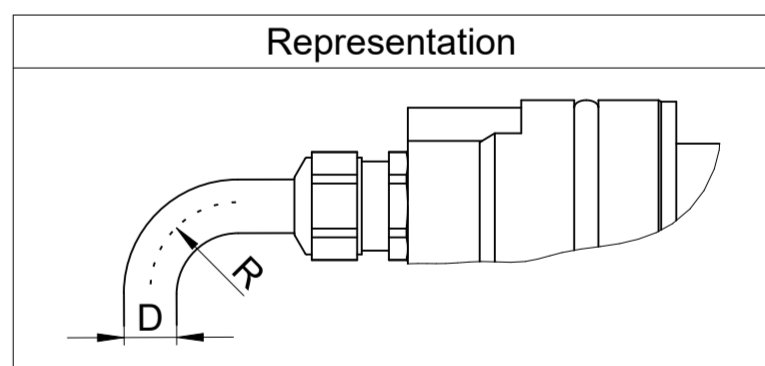
Document number

1395989-02-A-01



Power cable connection		
Color and cable number	Function	Drawing
Black cable with number 1 or U	Phase 1 (PH1)	
Black cable with number 2 or V	Phase 2 (PH2)	
Black cable with number 3 or W	Phase 3 (PH3)	
Black cable with yellow and green sleeve	Ground (GND)	

Characteristics	Cable cross-section (mm <sup>2</sup> )				Sensor cable
	1 x 2.5	1 x 4	1 x 6	1 x 10	
Applicable motors	TMC0360 TMC0450	TMC0530	TMC0360	TMC0450 TMC0530	All TMC
Minimum bend radius for fixed cable	R = 4 X D	R = 4 X D	R = 4 X D	R = 4 X D	R = 6 X D
Minimum bend radius for moving cable	R = 7.5 X D	R = 7.5 X D	R = 7.5 X D	R = 7.5 X D	R = 12 X D



Text:		ID number:	
Original drawing		Change No. C170599-20	
Scale		Released: 28.03.2024	
Format		Tolerances as per ISO 8015 : 2011	
Dimensions in mm		Tolerances selon ISO 8015 : 2011	
1:1		Dimensions without tolerance ± 0,2	
A2		Dimensions sans tolérances	
Mating Dimensions / Cotes d'encombrement			
The reproduction, distribution and utilization of this document as well as the communication of its contents to others without express authorization is prohibited. Offenders will be held liable for the payment of damages. All rights reserved in the event of the grant of a patent, utility model or design. (ISO 16016)			
<b>ETEL</b>		ETEL S.A. 2112 Môtiers SWITZERLAND	
Version		Revision	
Sheet		Page	
1395916-01-A-01		1 of 1	
Document number			