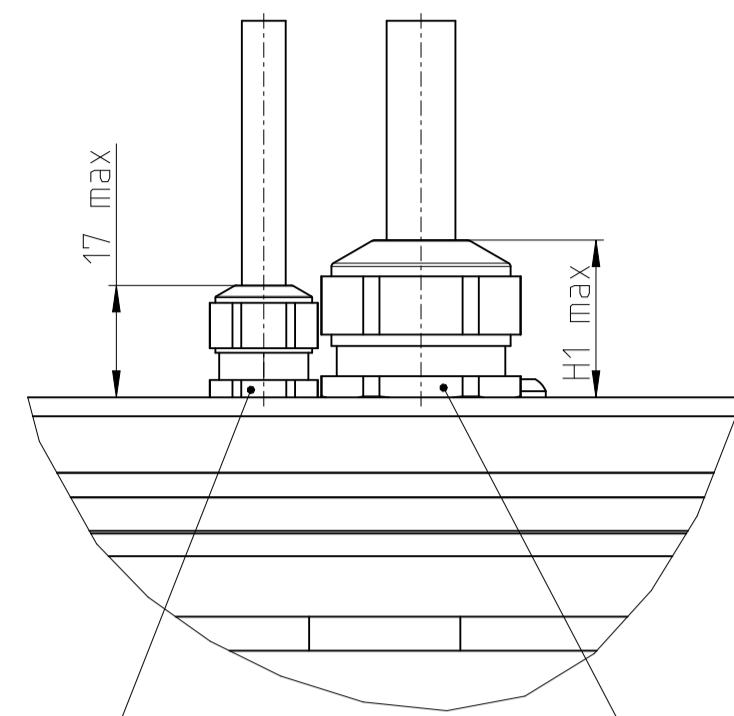


Designation	L1	L2	L3	L4	N1	N2	N3	N4	B1	B2
TMB+0290-030	70	45	10	31						
TMB+0290-050	90	65		51	12	12	12	12	30°	30°
TMB+0290-070	110	85		71						
TMB+0290-100	140	115	15	101						
TMB+0290-150	190	165		151	24	23	24	24	15°	15°
TMB+0290-200	240	215		202			4.8	4.7		7.5°

Text:		ID number:	C0358643
Original drawing	Scale: 1 format:	Change No:	10.12.2021
Released:		Released:	
TMB+0290-###-####-O#-AAO		Tolerances as per ISO 8015: 2011	
TMB+0290-###-####-O#-AAO		Tolerances series ISO 8015: 2011	
Making Dimensions / Cross environment		Dimensions without tolerance	
The reproduction, distribution and utilization of this document as well as the communication of its contents to others without express authorization is prohibited. Offenders will be held liable for the payment of damages. All rights reserved in the event of the grant of a patent, utility model or design. (ISO 16016)		Dimensions with tolerance	
ETEL S.A.		ETEL S.A.	
2112 Mörsch		2112 Mörsch	
SWITZERLAND		SWITZERLAND	
1175787-05-A-01		1175787-05-A-01	

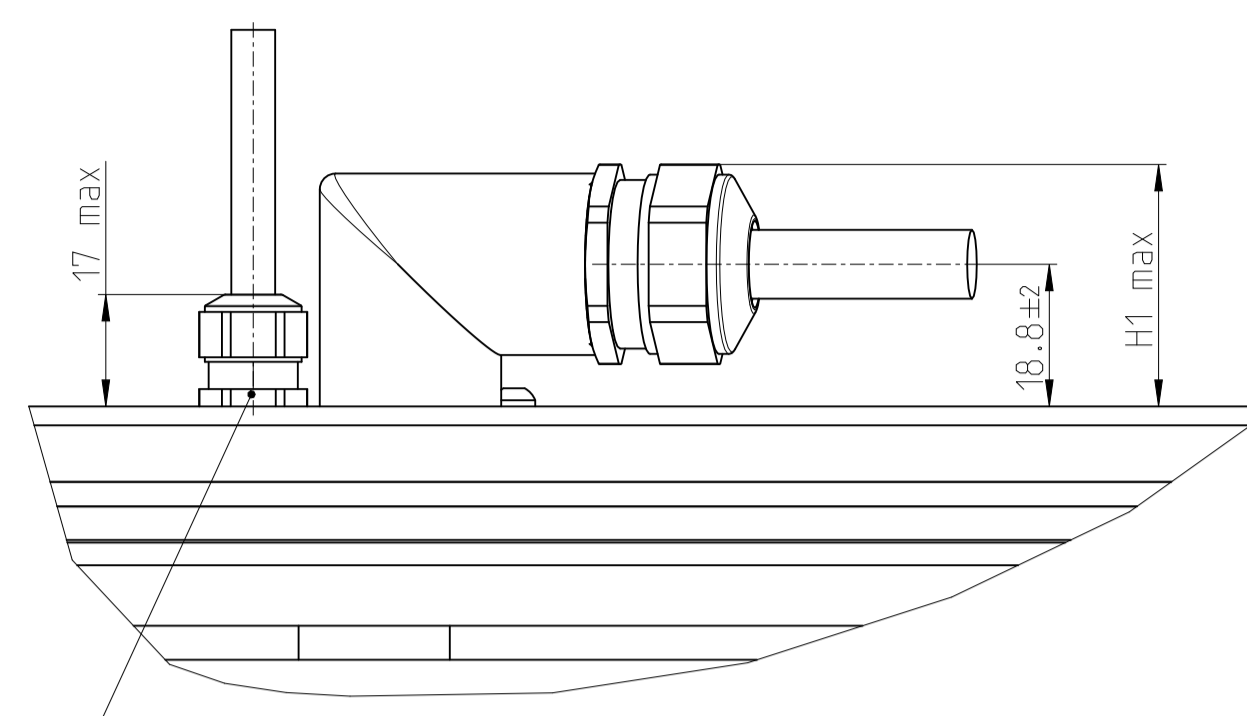
Type 1



Wrench size: 13mm

Wrench size: SWmm

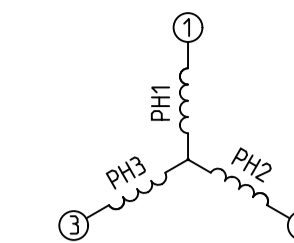
Type 2



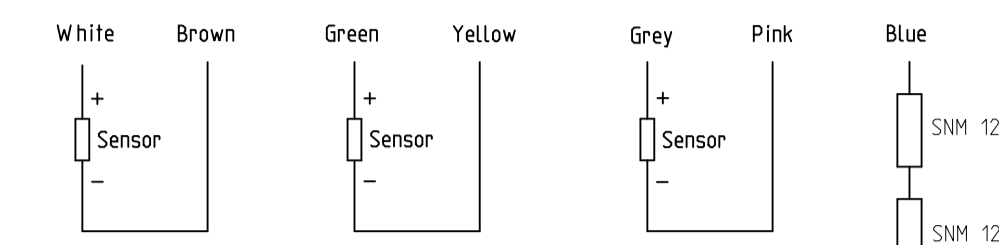
Wrench size: 13mm

Power cable connection

Phase 1 = wire 1
Phase 2 = wire 2
Phase 3 = wire 3
PE = yellow/green wire

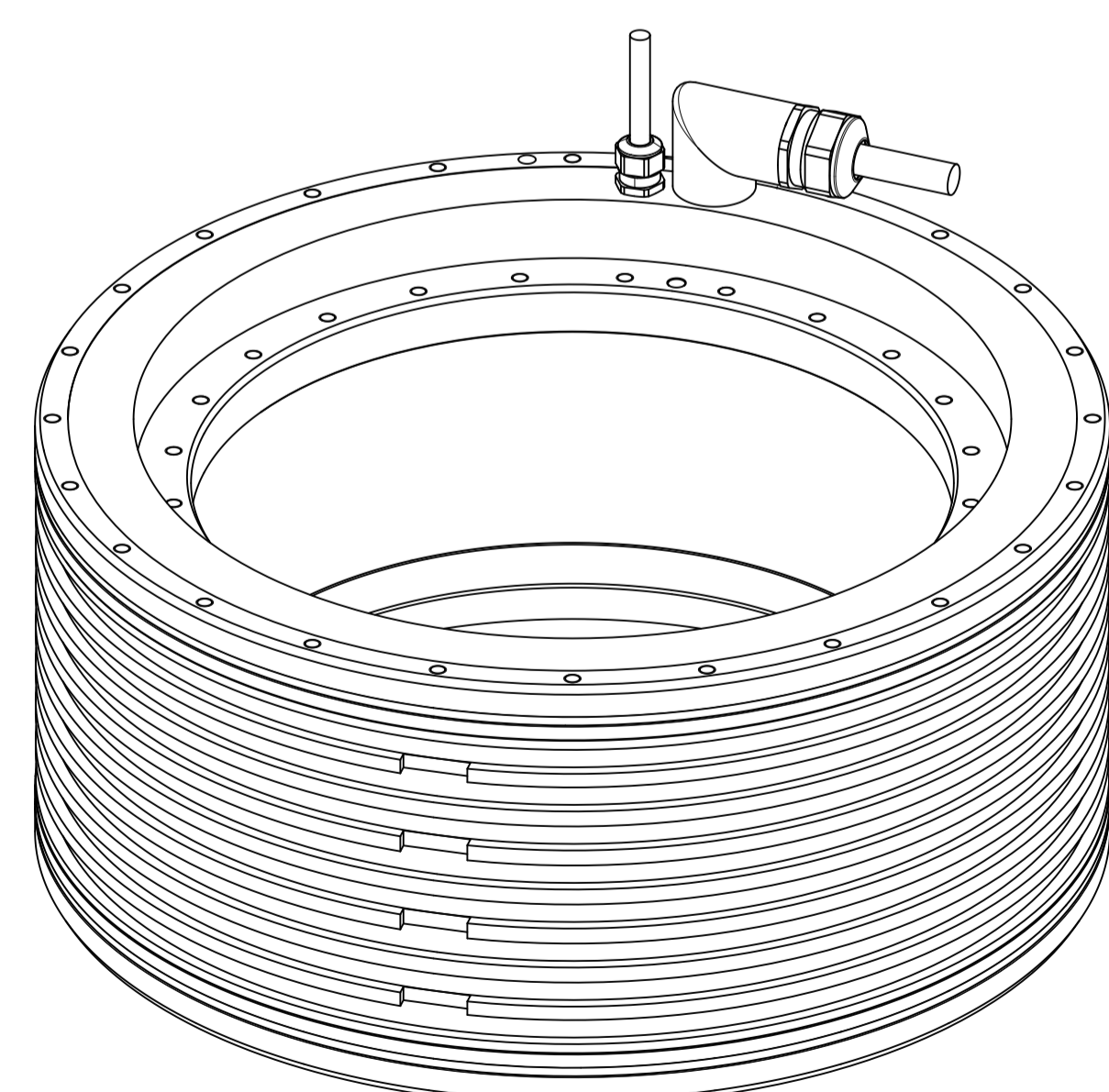
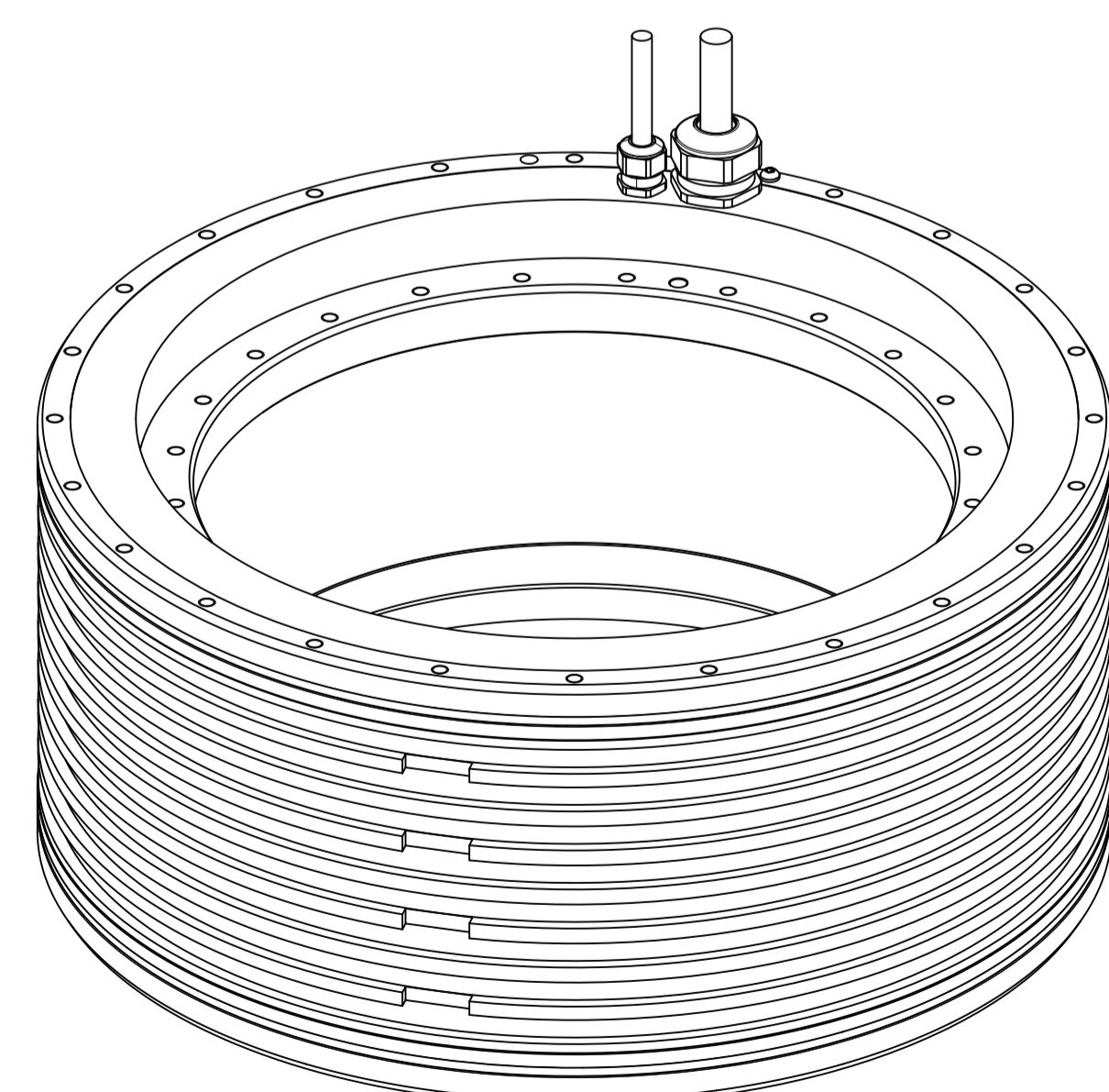
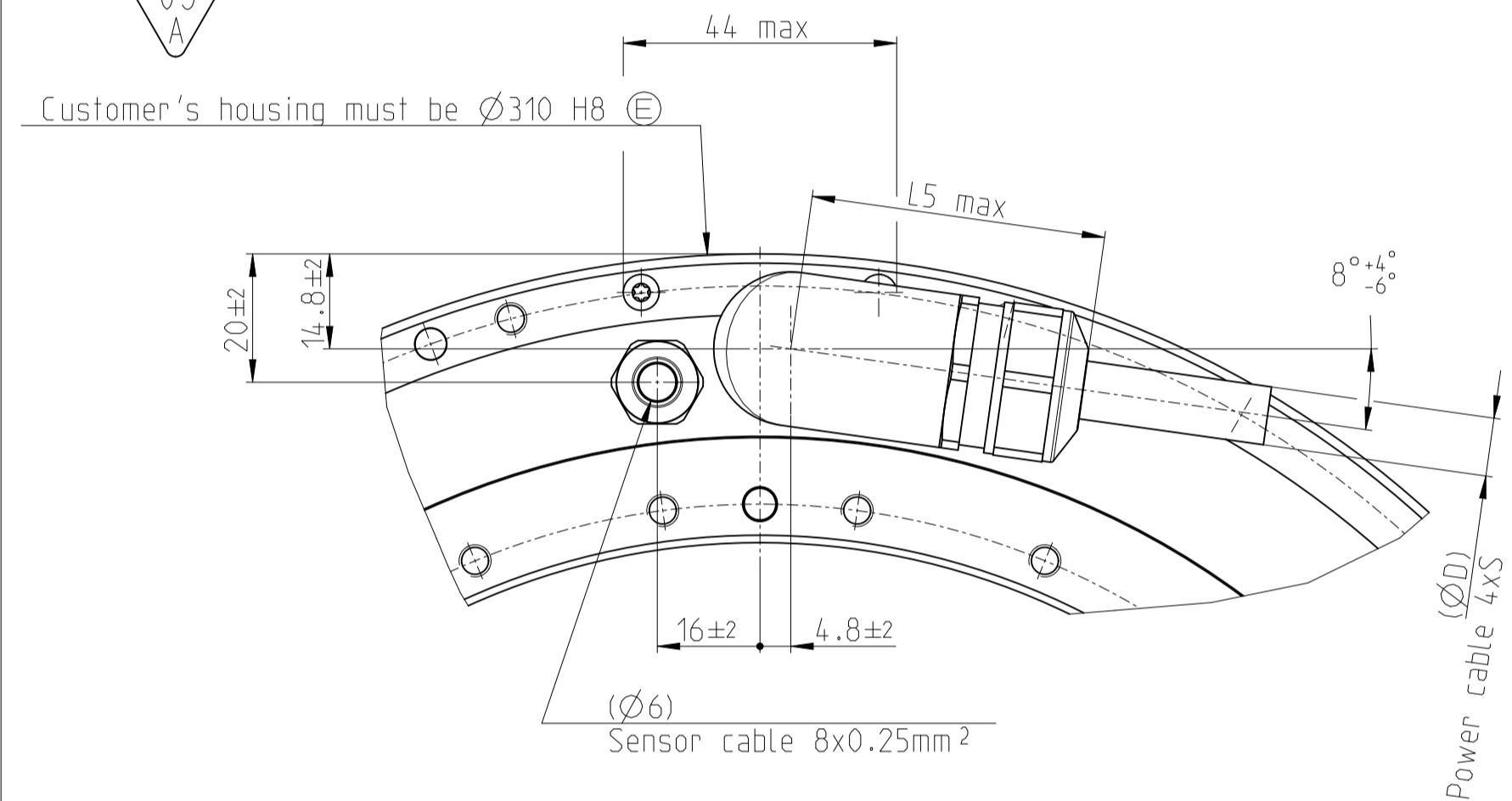
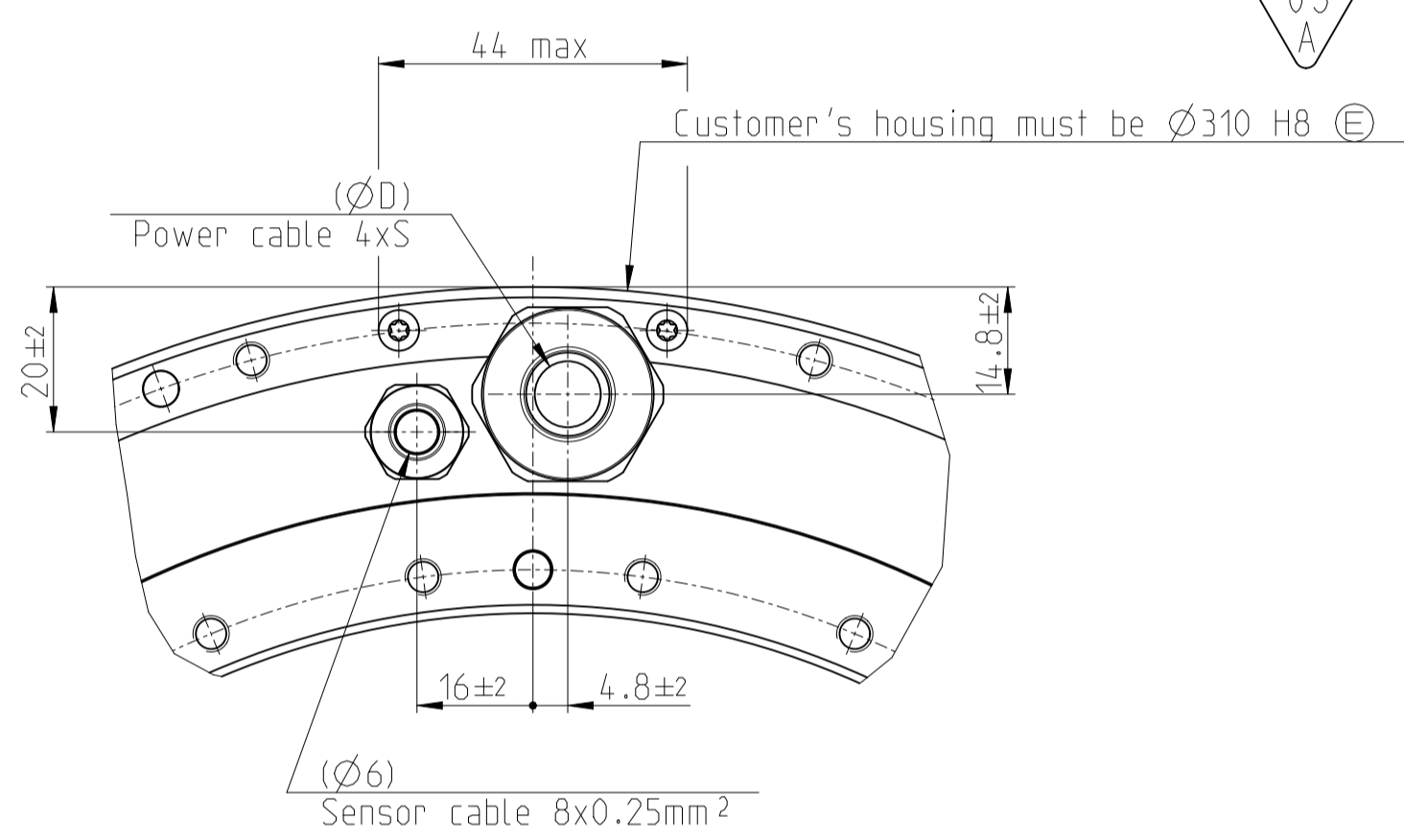


Sensor cable connection: "P" or "T" configuration



Configuration type	Sensor
"P"	KTY 84
"T"	PT 1000

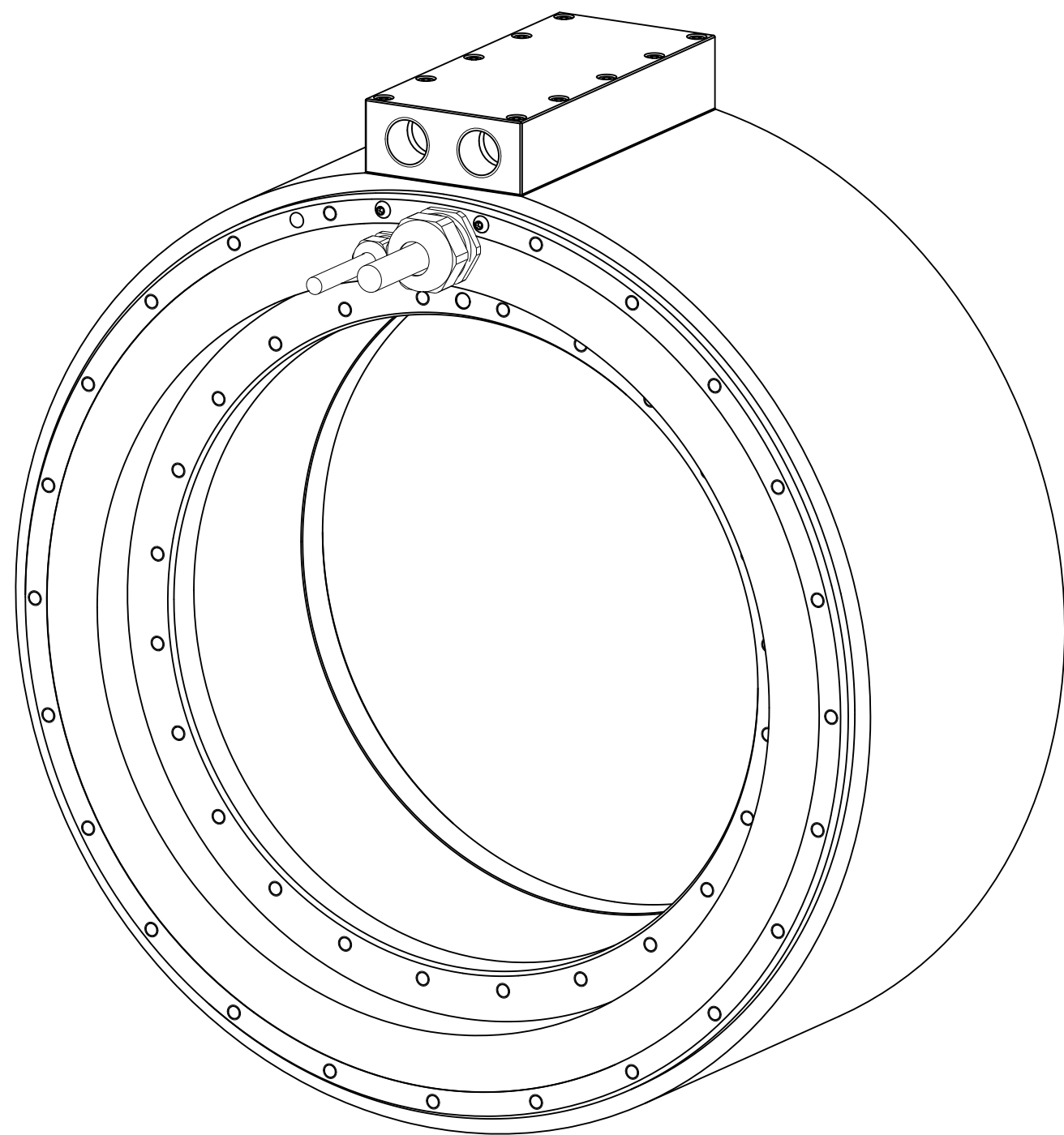
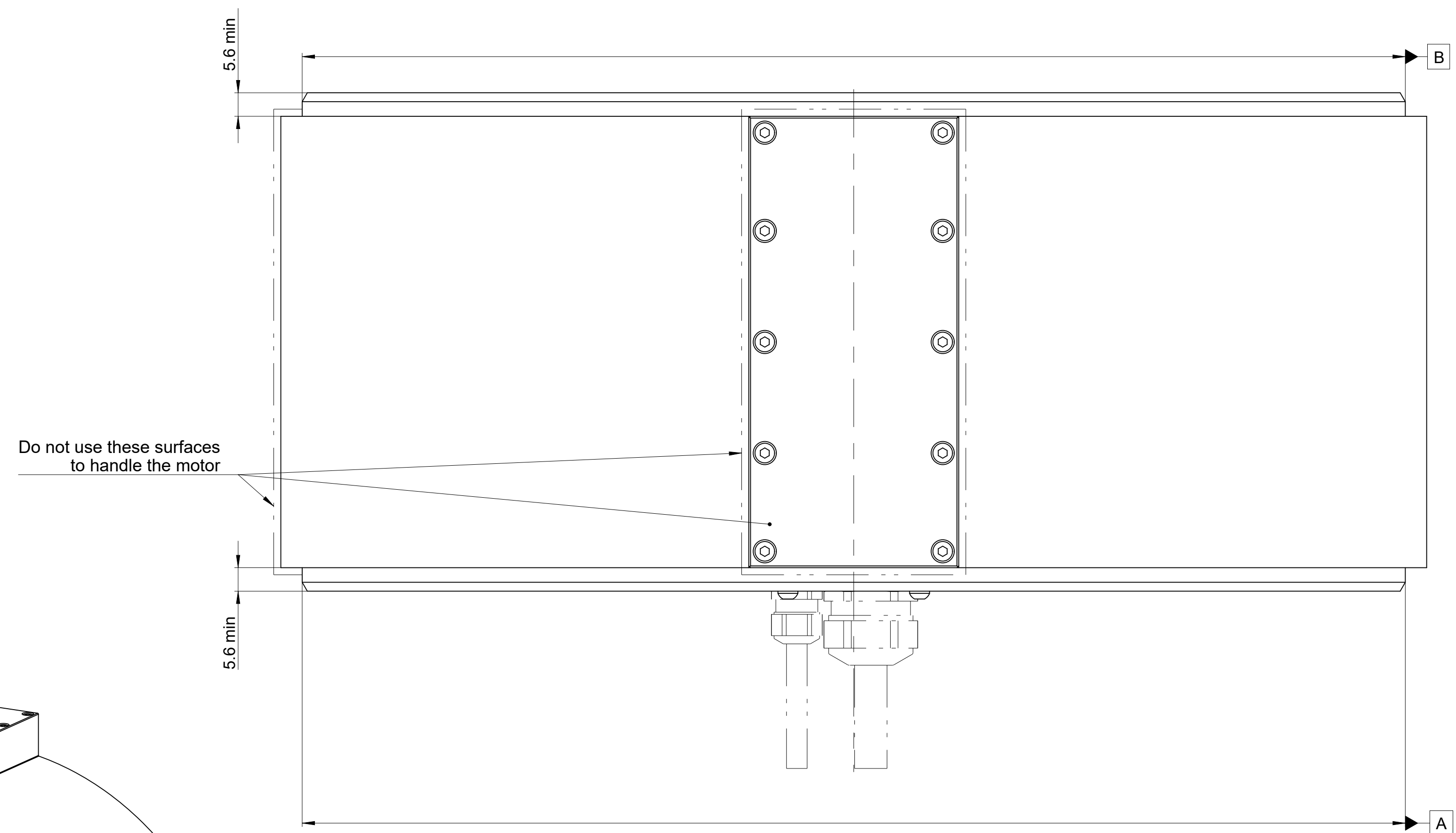
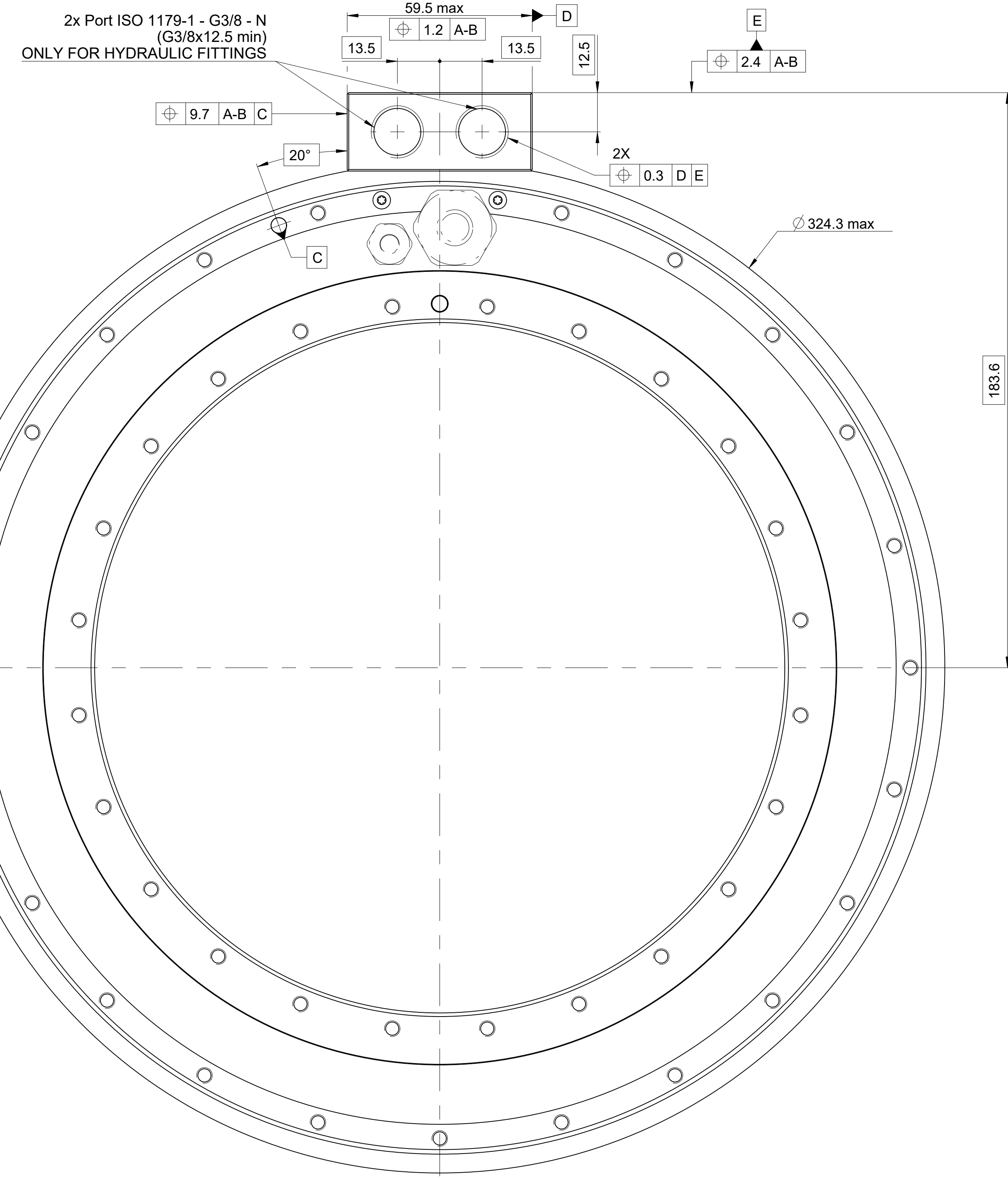
Motor family	Connection		
	0140 0175 0291	0210	0290 0360 0450 0530 0760 0990 1221
White - Brown	Phase 1	Phase 3	Phase 2
Green - Yellow	Phase 3	Phase 2	Phase 1
Grey - Pink	Phase 2	Phase 1	Phase 3



Designation	Output type	S=Wire section	L5	H1	D	SW	Bending radius
		[mm ²]	[mm]	[mm]	[mm]	[mm]	[mm]
TMB+0290-###-RA#S#	Type 1	1.5	-	26.5	9.1	24	Static bending radius for: - sensor cable = 30 - power cable = 4 x ØD
TMB+0290-###-RA#E#	Type 2		51.5	34.5			
TMB+0290-###-TA#S#	Type 1		-	26.5			
TMB+0290-###-TA#E#	Type 2		51.5	34.5			
TMB+0290-###-UA#S#	Type 1	2.5	-	26.5	10.6	24	
TMB+0290-###-UA#E#	Type 2		51.5	34.5			
TMB+0290-030 to 050-TB#S#	Type 1	4	-	28.5	11.9	24	
TMB+0290-030 to 050-TB#E#	Type 2		53.5	34.5			
TMB+0290-###-UB#S#	Type 1	4	-	28.5	11.9	24	
TMB+0290-###-UB#E#	Type 2		53.5	34.5			

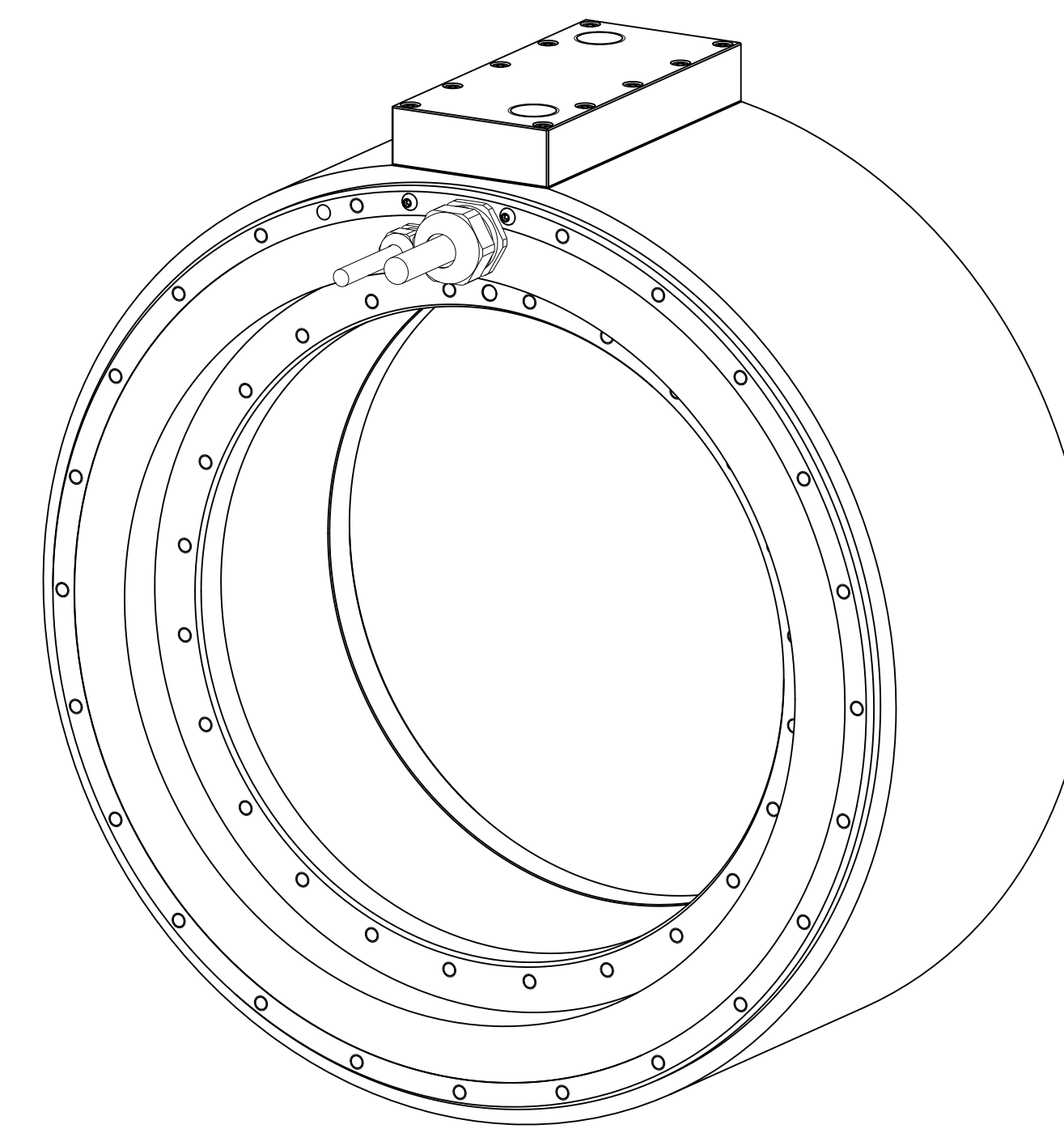
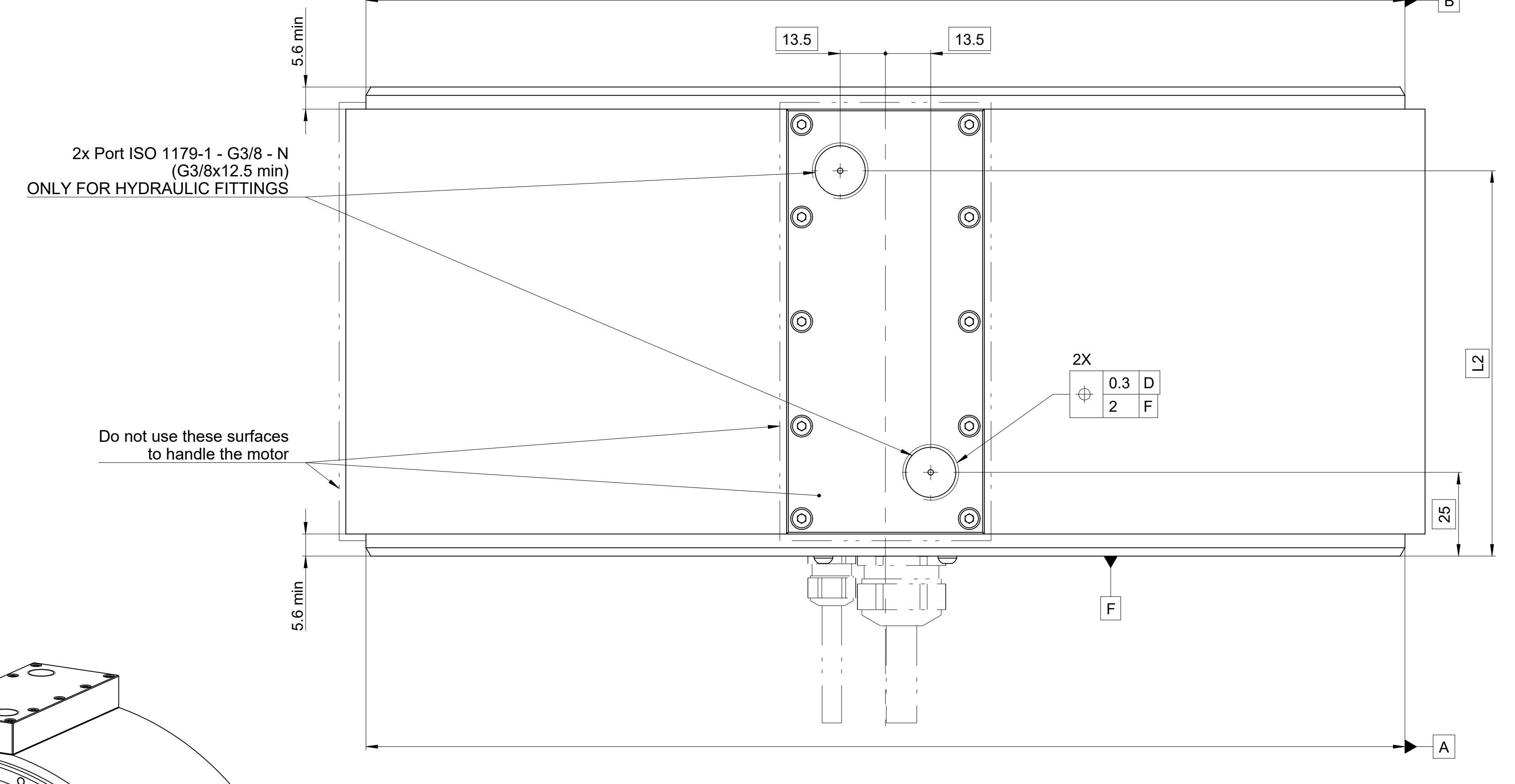
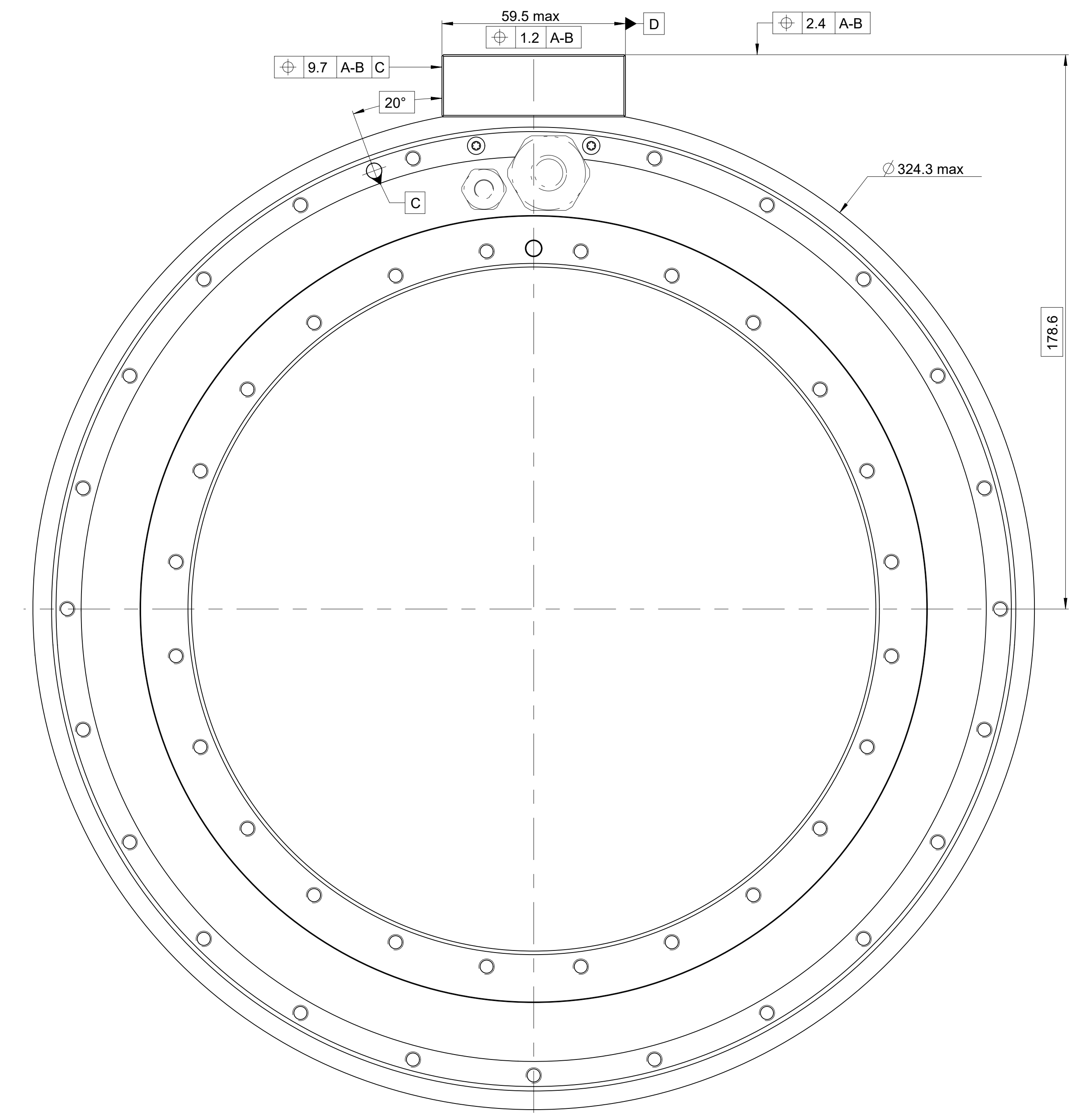
Text:		ID number:
Change No.:		C075986-33
Released:		10.12.2021
Tolerances as per ISO 8015 : 2011		Tolerances selon ISO 8015 : 2011
Dimensions without tolerance		± 0.2
Dimensions sans tolérances		± 0.2
The reproduction, distribution and utilization of this document as well as the communication of its contents to others without express authorization is prohibited. Offenders will be held liable for the payment of damages. All rights reserved in the event of the grant of a patent, utility model or design. (ISO 18015)		
Original drawing	Scale	Format
1:1	A1	
TMB+0290-###-####-O#-AAO		
TMB+0290-###-####-O#-AAO		
Mating Dimensions / Coles d'encrobrement		
ETEL S.A.		
2112 Möllers		
SWITZERLAND		
Version Revision Sheet Page		
1175787-05-A-01		2 of 2
Document number		

TMB+0290-###-#####-A#-AA0
 (Annex to interface drawing 1175787: please check for motor and cable output information)



1:2

TMB+0290-###-#####-R#-AA0
 (Annex to interface drawing 1175787: please check for motor and cable output information)



1:2

Designation	L2
TMB+0290-030	45
TMB+0290-050	65
TMB+0290-070	85
TMB+0290-100	115
TMB+0290-150	165
TMB+0290-200	215