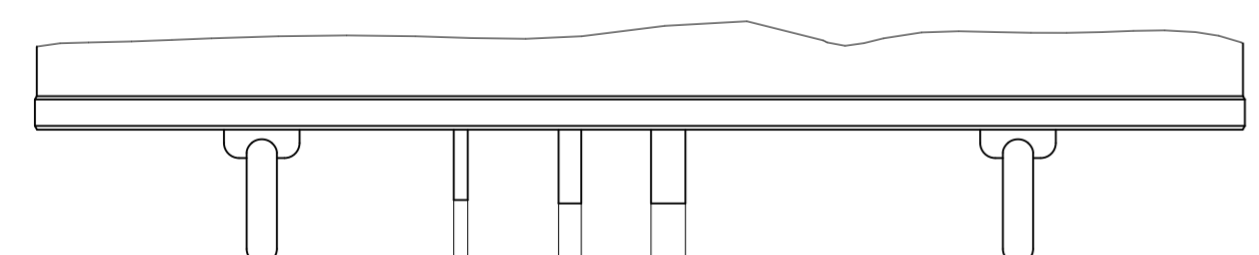
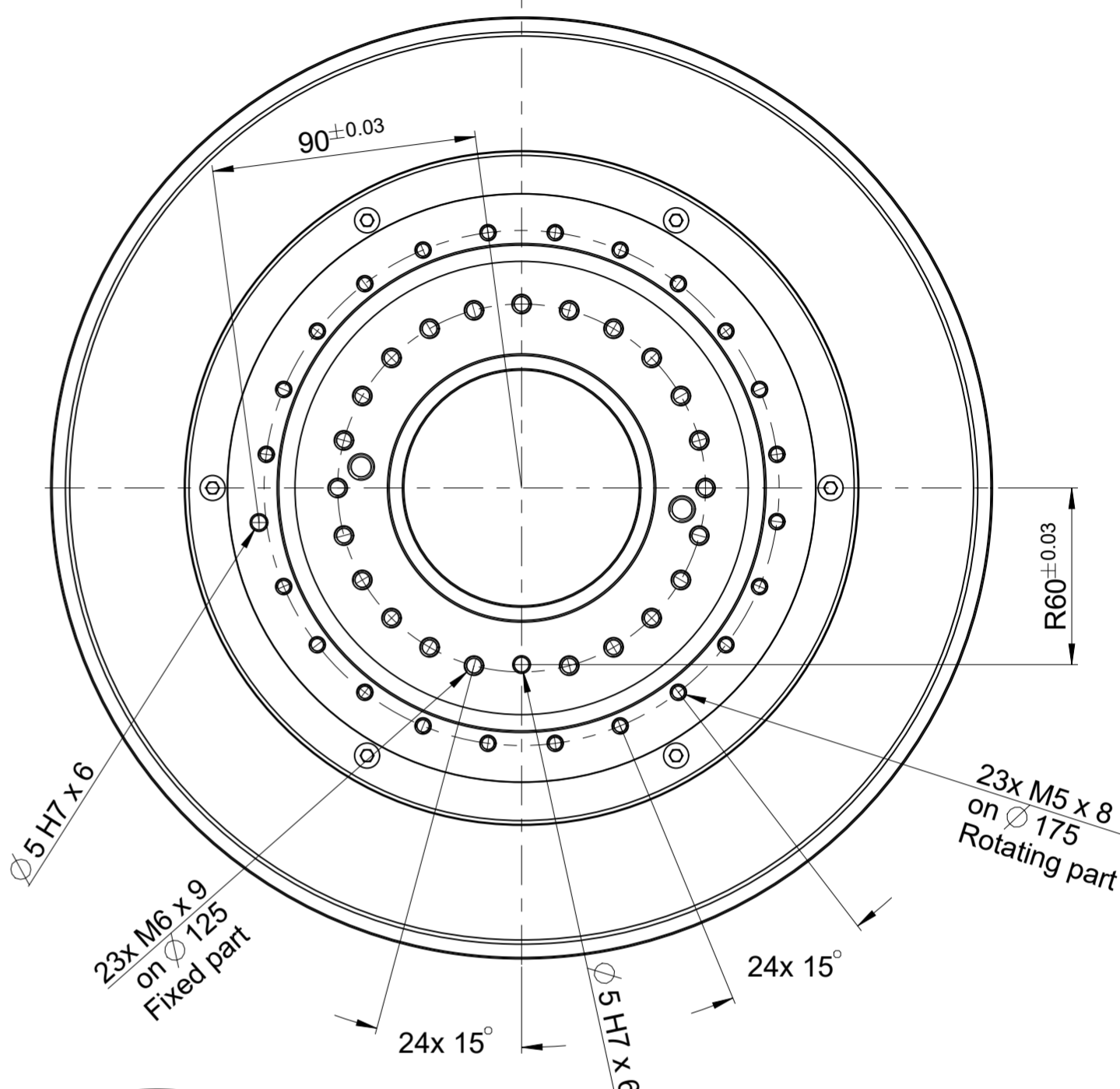
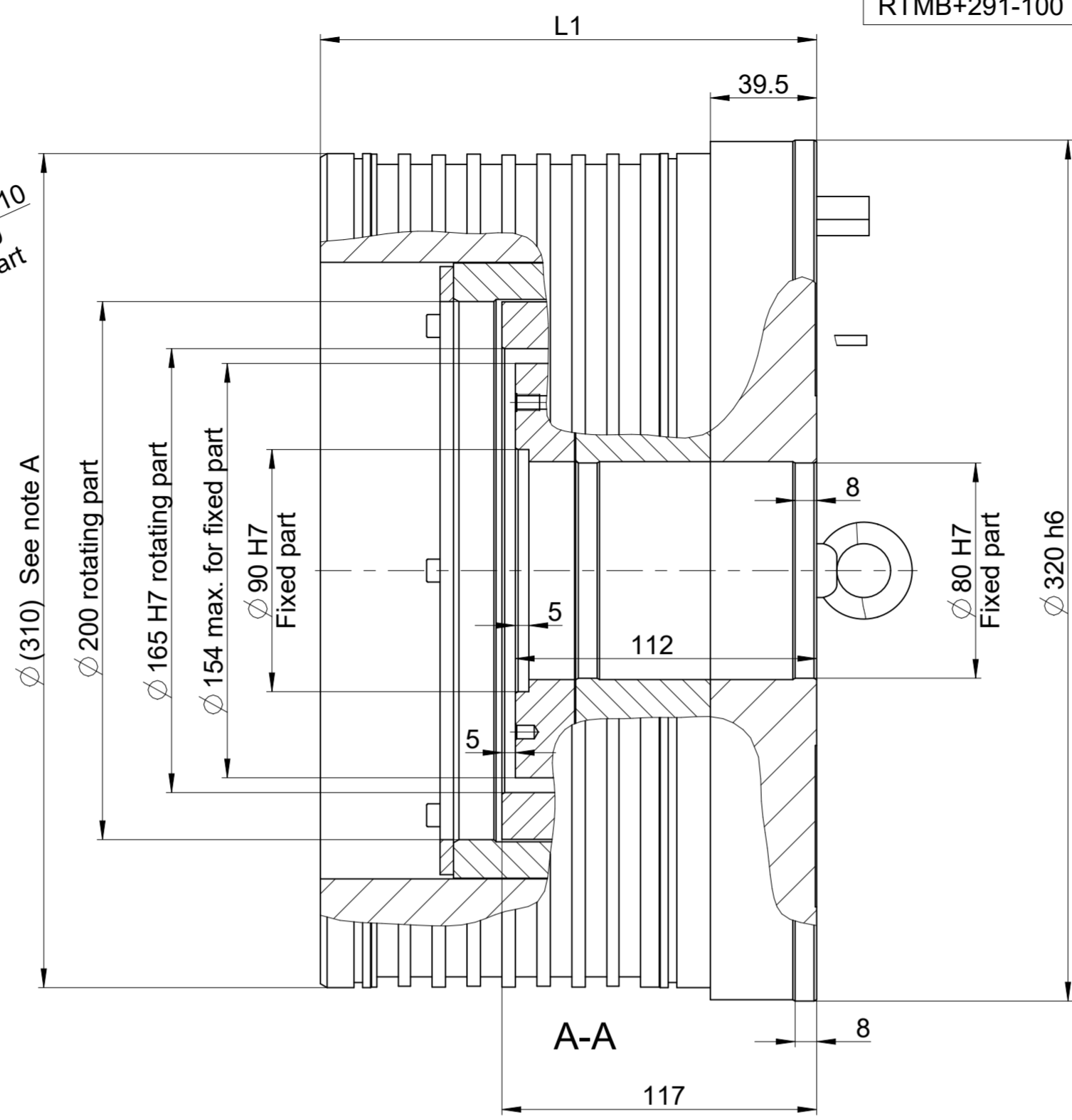
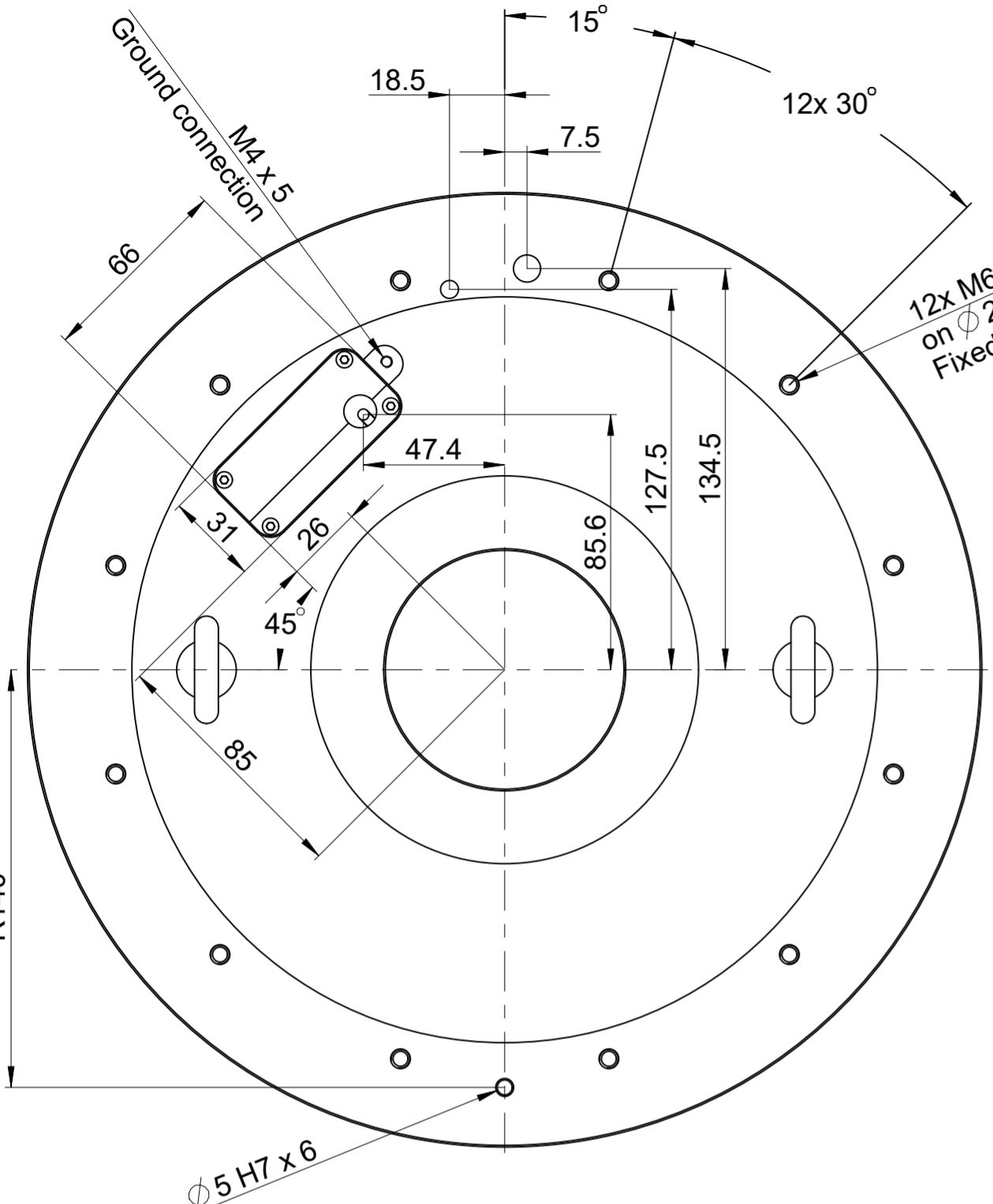
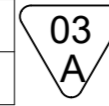


| Axis         | L1    |
|--------------|-------|
| RTMB+291-070 | 154.5 |
| RTMB+291-100 | 184.5 |



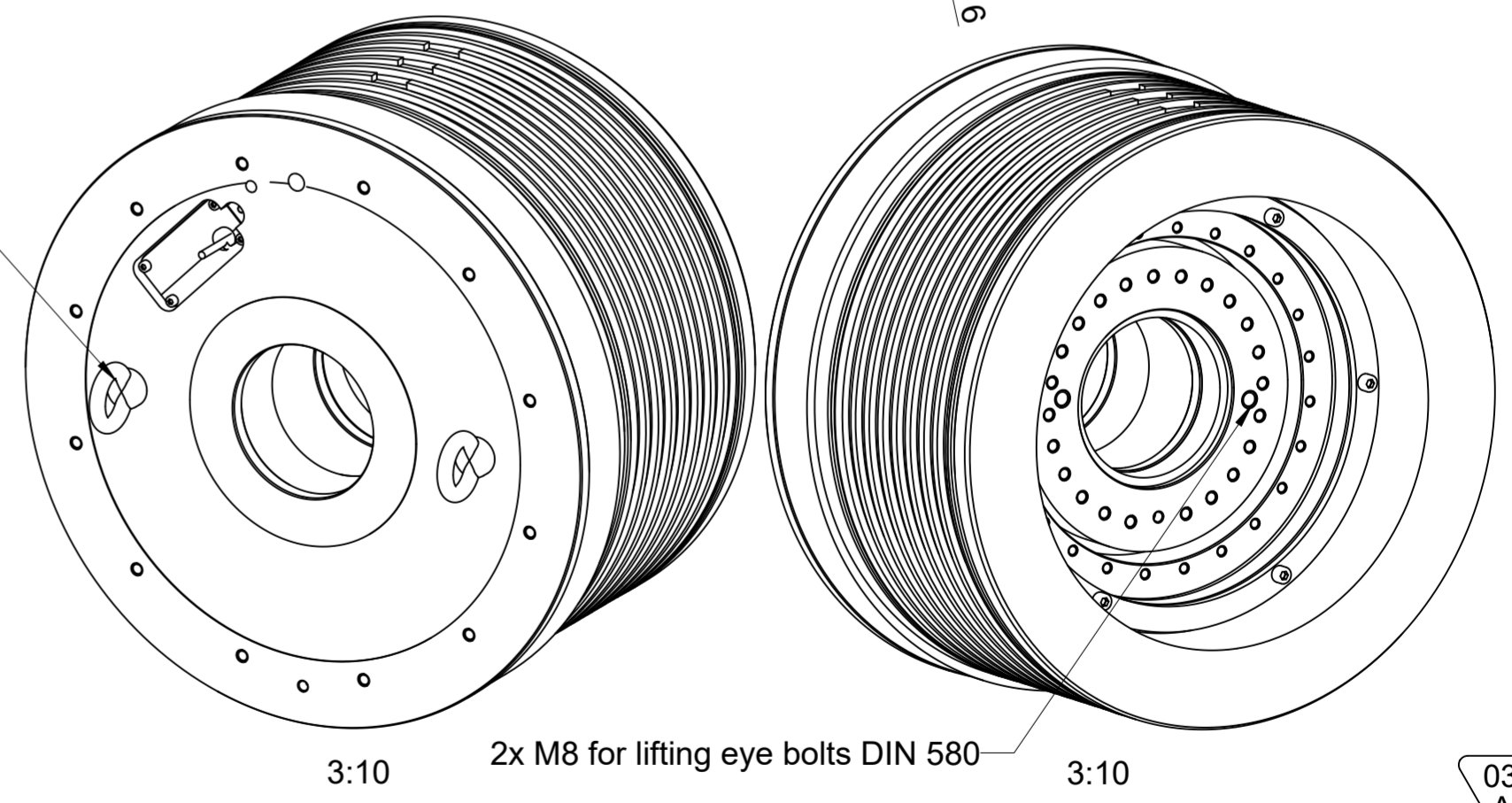
Encoder cable, length 5 m  
Bending radius min., fixed configuration : 8mm  
D-sub connector, 3-row, with locking screws,  
male, 15-pin.  
Output signal: 1Vpp

Sensor cable, length 5 m  
See note A

Power cable, length 5 m  
See note A

| Pin      | Power supply         |                   | Incrementals signals |               |                 |                 |                |                | Other |   |   |   |    |    |    |
|----------|----------------------|-------------------|----------------------|---------------|-----------------|-----------------|----------------|----------------|-------|---|---|---|----|----|----|
|          | 4                    | 5                 | 14                   | 7             | 13              | 6               | 15             | 8              | 1     | 2 | 3 | 9 | 10 | 11 | 12 |
| 1Vpp     | Up                   | 0V                | A+                   | A-            | B+              | B-              | R+             | R-             | /     | / | / | / | /  | /  | /  |
| Function | Encoder supply +5VDC | Encoder supply 0V | Sine + signal        | Sine - signal | Cosine + signal | Cosine - signal | Index + signal | Index - signal |       |   |   |   |    |    |    |

2x lifting eye bolts DIN 580 - M8  
Included in delivery.



Note A : Dimensions and tolerances are defined in the interface drawing of the TMB+0291-### motor.

Note B : Connection and bending radius are defined in the interface drawing of the TMB+0291-### motor with PT 1000 sensor.



|   |   |                                    |
|---|---|------------------------------------|
| Text: Note modified   |   | ID number: 1314190-##              |
| Original drawing  |   | Change No. C134337-05              |
| Scale   | ASME-RTMB+291#####-NNN- T STANDALONE AXIS | Released: 01-Nov-21                |
| Format  | ASME-RTMB+291#####-NNN- T STANDALONE AXIS | Tolerances as per ISO 8015 : 2011  |
| Dimensions in mm  | 1:2 A2                                    | Tolérances selon ISO 8015 : 2011   |
| Mating Dimensions / Cotes d'encombrement  |   | Dimensions without tolerance ± 0,5 |
| The reproduction, distribution and utilization of this document as well as the communication of its contents to others without express authorization is prohibited. Offenders will be held liable for the payment of damages. All rights reserved in the event of the grant of a patent, utility model or design. (ISO 16016) |   | Version   Revision   Sheet   Page  |
| ETEL ETEL S.A. 2112 Môtiers SWITZERLAND   |   | 1314204-03-A-01 1 of 1             |